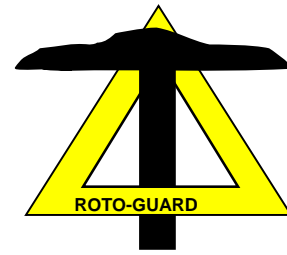
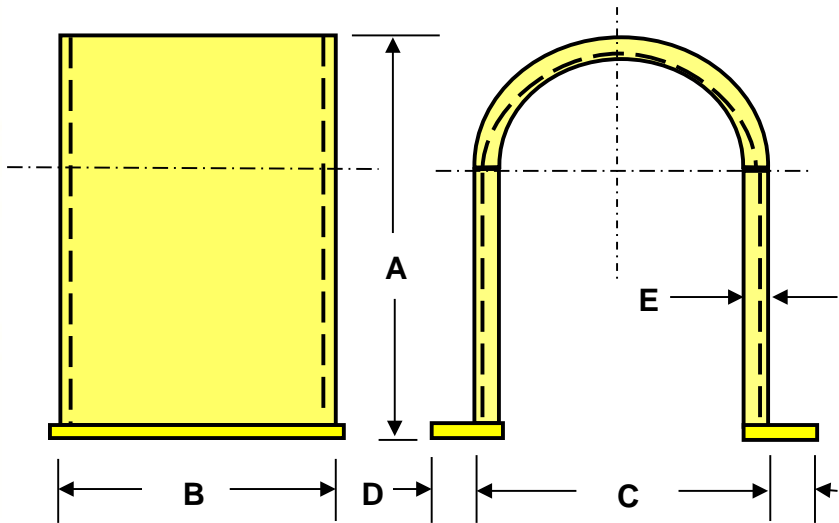
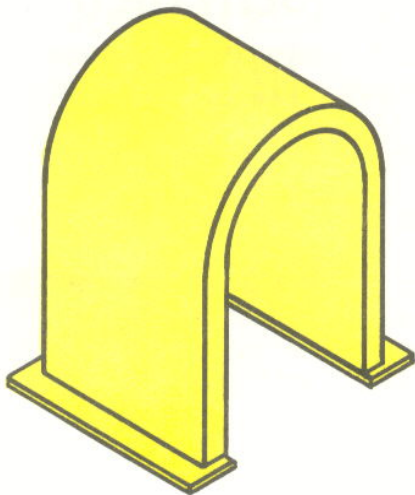


ROTO -



GUARD

COUPLING GUARDS



NON-CORROSIVE

NON-SPARK

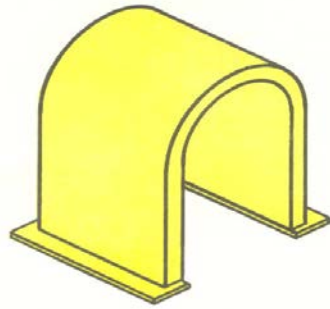
COLORFAST

ROTO-GUARD & TECHNICAL SERVICES, INC.

G.C.I.
P.O. Box 83657
Baton Rouge LA 70884
Phone: (225) 752-9791 Fax: (225) 751-0143

OUTLINE DIMENSIONS

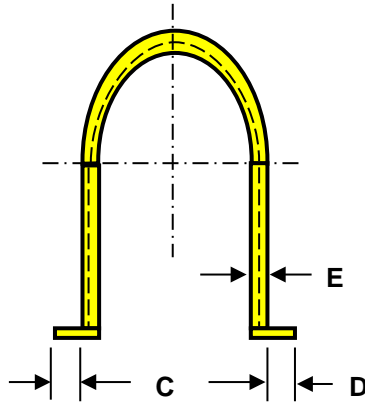
MODEL NUMBER	"A" HEIGHT	"B" WIDTH	"C" O.D.	"D" FLANGE	"E" LIP	MINIMUM THICKNESS
RG- A66	6"	6"	5"	1 1/2"	1 1/2"	1/8"
RG- A68	8"	6"	5"	1 1/2"	1 1/2"	1/8"
RG- A610	10"	6"	5"	1 1/2"	1 1/2"	1/8"
RG- A612	12"	6"	5"	1 1/2"	1 1/2"	1/8"
RG- A614	14"	6"	5"	1 1/2"	1 1/2"	1/8"
RG- 66	6"	6"	8"	1 1/2"	1 1/2"	1/8"
RG- 69	9"	6"	8"	1 1/2"	1 1/2"	1/8"
RG- 612	12"	6"	8"	1 1/2"	1 1/2"	1/8"
RG- 614	14"	6"	8"	1 1/2"	1 1/2"	1/8"
RG- 616	16"	6"	8"	1 1/2"	1 1/2"	1/8"
RG- 618	18"	6"	8"	1 1/2"	1 1/2"	1/8"
RG- 620	20"	6"	8"	2"	1 1/2"	3/16"
RG- 624	24"	6"	8"	2"	1 1/2"	3/16"
RG- 628	28"	6"	8"	2"	1 1/2"	3/16"
RG- 632	32"	6"	8"	2"	1 1/2"	3/16"
RG- 636	36"	6"	8"	2"	1 1/2"	3/16"
RG- 810	8"	10"				
RG- 812	8"	12"				
RG- 814	8"	14"				
RG- 99	9"	9 1/2"	9 1/2"	1 1/2"	2"	1/8"
RG- 912	12"	9 1/2"	9 1/2"	1 1/2"	2"	1/8"
RG- 914	14"	9 1/2"	9 1/2"	1 1/2"	2"	1/8"
RG- 916	16"	9 1/2"	9 1/2"	1 1/2"	2"	1/8"
RG- 918	18"	9 1/2"	9 1/2"	1 1/2"	2"	1/8"
RG- 920	20"	9 1/2"	9 1/2"	2"	2"	3/16"
RG- 924	24"	9 1/2"	9 1/2"	2"	2"	3/16"
RG- 928	28"	9 1/2"	9 1/2"	2"	2"	3/16"
RG- 932	32"	9 1/2"	9 1/2"	2"	2"	3/16"
RG- 936	36"	9 1/2"	9 1/2"	2"	2"	3/16"
RG 109						
RG 1012						
RG 1014						
RG 1016						
RG- 129	9"	12"	12"	1 1/2"	2"	1/8"
RG- 1212	12"	12"	12"	1 1/2"	2"	1/8"
RG- 1214	14"	12"	12"	1 1/2"	2"	1/8"
RG- 1216	16"	12"	12"	1 1/2"	2"	1/8"
RG- 1218	18"	12"	12"	1 1/2"	2"	1/8"
RG- 1220	20"	12"	12"	2"	3"	3/16"
RG- 1224	24"	12"	12"	2"	3"	3/16"
RG- 1228	28"	12"	12"	2"	3"	3/16"
RG- 1232	32"	12"	12"	2"	3"	3/16"
RG- 1236	36"	12"	12"	2"	3"	3/16"
RG- 1312	12"	13 1/4"	8"	2"	2"	1/8"
RG- 1314	14"	13 1/4"	8"	2"	2"	1/8"
RG- 1316	16"	13 1/4"	8"	2"	2"	1/8"
RG- 1318	18"	13 1/4"	8"	2"	2"	1/8"
RG- 1320	20"	13 1/4"	8"	2"	2"	1/8"
RG- 1324	24"	13 1/4"	8"	2"	2"	1/8"
RG- 1328	28"	13 1/4"	8"	2"	2"	1/8"
RG- 1332	32"	13 1/4"	8"	2"	2"	1/8"
RG- 1336	36"	13 1/4"	8"	2"	2"	1/8"
RG- 1416	16"	12"	14"	2"	3"	1/8"
RG- 1418	18"	12"	14"	2"	3"	1/8"
RG- 1420	20"	12"	14"	2"	3"	3/16"
RG- 1424	24"	12"	14"	2"	3"	3/16"
RG- 1428	28"	12"	14"	2"	3"	3/16"
RG- 1432	32"	12"	14"	2"	3"	3/16"
RG- 1436	36"	12"	14"	2"	3"	3/16"
RG- 1442	42"	12"	14"	2"	3"	3/16"
RG- 1448	48"	12"	14"	2"	3"	3/16"
RG- B1616	16"	16"	12"	2"	3"	3/16"
RG- B1618	18"	16"	12"	2"	3"	3/16"
RG- B1620	20"	16"	12"	2"	3"	3/16"
RG- B1624	24"	16"	12"	2"	3"	3/16"
RG- B1628	28"	16"	12"	2"	3"	3/16"
RG- B1632	32"	16"	12"	2"	3"	3/16"
RG- B1636	36"	16"	12"	2"	3"	3/16"
RG- B1642	42"	16"	12"	2"	3"	3/16"
RG- B1648	48"	16"	12"	2"	3"	3/16"
RG- C1616	16"	12"	16"	2"	3"	3/16"
RG- C1618	18"	12"	16"	2"	3"	3/16"
RG- C1620	20"	12"	16"	2"	3"	3/16"
RG- C1624	24"	12"	16"	2"	3"	3/16"
RG- C1628	28"	12"	16"	2"	3"	3/16"
RG- C1632	32"	12"	16"	2"	3"	3/16"
RG- C1636	36"	12"	16"	2"	3"	3/16"



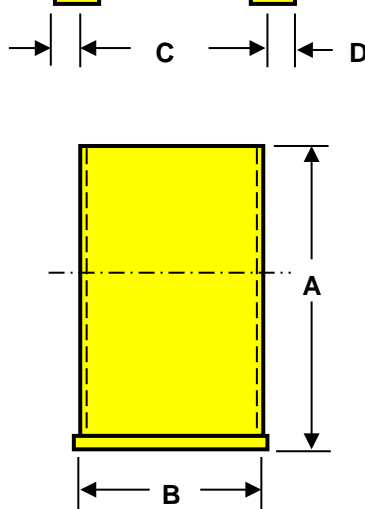
OUTLINE DIMENSIONS

MODEL NUMBER	"A" HEIGHT	"B" WIDTH	"C" O.D.	"D" FLANGE	"E" LIP	MINIMUM THICKNESS
RG- B1816	16"	18"	12"	2"	3"	3/16"
RG- B1818	18"	18"	12"	2"	3"	3/16"
RG- B1820	20"	18"	12"	2"	3"	3/16"
RG- B1824	24"	18"	12"	2"	3"	3/16"
RG- B1828	28"	18"	12"	2"	3"	3/16"
RG- B1830	30"	18"	12"	2"	3"	3/16"
RG- B1832	32"	18"	12"	2"	3"	3/16"
RG- B1836	36"	18"	12"	2"	3"	3/16"
RG- B1842	42"	18"	12"	2"	3"	3/16"
RG- B1848	48"	18"	12"	2"	3"	3/16"

OUTLINE DIMENSIONS



RG- C1816	16"	18"	16"	2"	3"	3/16"
RG- C1818	18"	18"	16"	2"	3"	3/16"
RG- C1820	20"	18"	16"	2"	3"	3/16"
RG- C1824	24"	18"	16"	2"	3"	3/16"
RG- C1828	28"	18"	16"	2"	3"	3/16"
RG- C1830	30"	18"	16"	2"	3"	3/16"
RG- C1832	32"	18"	16"	2"	3"	3/16"
RG- C1836	36"	18"	16"	2"	3"	3/16"
RG- C1842	42"	18"	16"	2"	3"	3/16"
RG- C1848	48"	18"	16"	2"	3"	3/16"
RG- 2112	12"	21"	12"	2"	3"	3/16"
RG- 2116	16"	21"	12"	2"	3"	3/16"
RG- 2118	18"	21"	12"	2"	3"	3/16"
RG- 2120	20"	21"	12"	2"	3"	3/16"
RG- 2125	25"	21"	12"	2"	3"	3/16"
RG- 2128	28"	21"	12"	2"	3"	3/16"
RG- 2132	32"	21"	12"	2"	3"	3/16"
RG- 2136	36"	21"	12"	2"	3"	3/16"



RG- 2420	20"	24"	18"	2"	3"	3/16"
RG- 2424	24"	24"	18"	2"	3"	3/16"
RG- 2428	28"	24"	18"	2"	3"	3/16"
RG- 2430	30"	24"	18"	2"	3"	3/16"
RG- 2434	34"	24"	18"	2"	3"	3/16"
RG- 2440	40"	24"	18"	2"	3"	1/4"
RG- 2445	45"	24"	18"	2"	3"	1/4"
RG- 2450	50"	24"	18"	2"	3"	1/4"
RG- 2455	55"	24"	18"	2"	3"	1/4"
RG- 2460	60"	24"	18"	2"	3"	1/4"
RG- 2822	22"	28"	20"	2"	3"	3/16"
RG- 2825	25"	28"	20"	2"	3"	3/16"
RG- 2828	28"	28"	20"	2"	3"	3/16"
RG- 2832	32"	28"	20"	2"	3"	3/16"
RG- 2836	36"	28"	20"	2"	3"	3/16"
RG- 2840	40"	28"	20"	2"	3"	1/4"
RG- 2845	45"	28"	20"	2"	3"	1/4"
RG- 2850	50"	28"	20"	2"	3"	1/4"
RG- 2855	55"	28"	20"	2"	3"	1/4"
RG- 2860	60"	28"	20"	2"	3"	1/4"
RG- 3426	26"	34"	26"	2"	3"	3/16"
RG- 3430	30"	34"	26"	2"	3"	3/16"
RG- 3434	34"	34"	26"	2"	3"	3/16"
RG- 3438	38"	34"	26"	2"	3"	1/4"
RG- 3442	42"	34"	26"	2"	3"	1/4"
RG- 3448	48"	34"	26"	2"	3"	1/4"
RG- 3452	52"	34"	26"	2"	3"	1/4"
RG- 3458	58"	34"	26"	2"	3"	1/4"

SHAFT

The newest ROTO-GUARD line--SHAFT coupling guards for vertical pumps applications. Models are readily compatible with "Union" vertical pumps.

RG- V2125	RG- V2128
RG- V2126	RG- V2129
RG- V2127	RG- V2130

**EVERYONE HAS A PRODUCT --
WE SPECIALIZE IN SERVICE
PLEASE CALL US FOR YOUR GUARDING NEEDS**

- A** _____ Distance Between Pump & Motor
- B** _____ Base Plate Width
- C** _____ Coupling Height
- D** _____ Bearing Housing Height
- E** _____ Bearing Housing Width

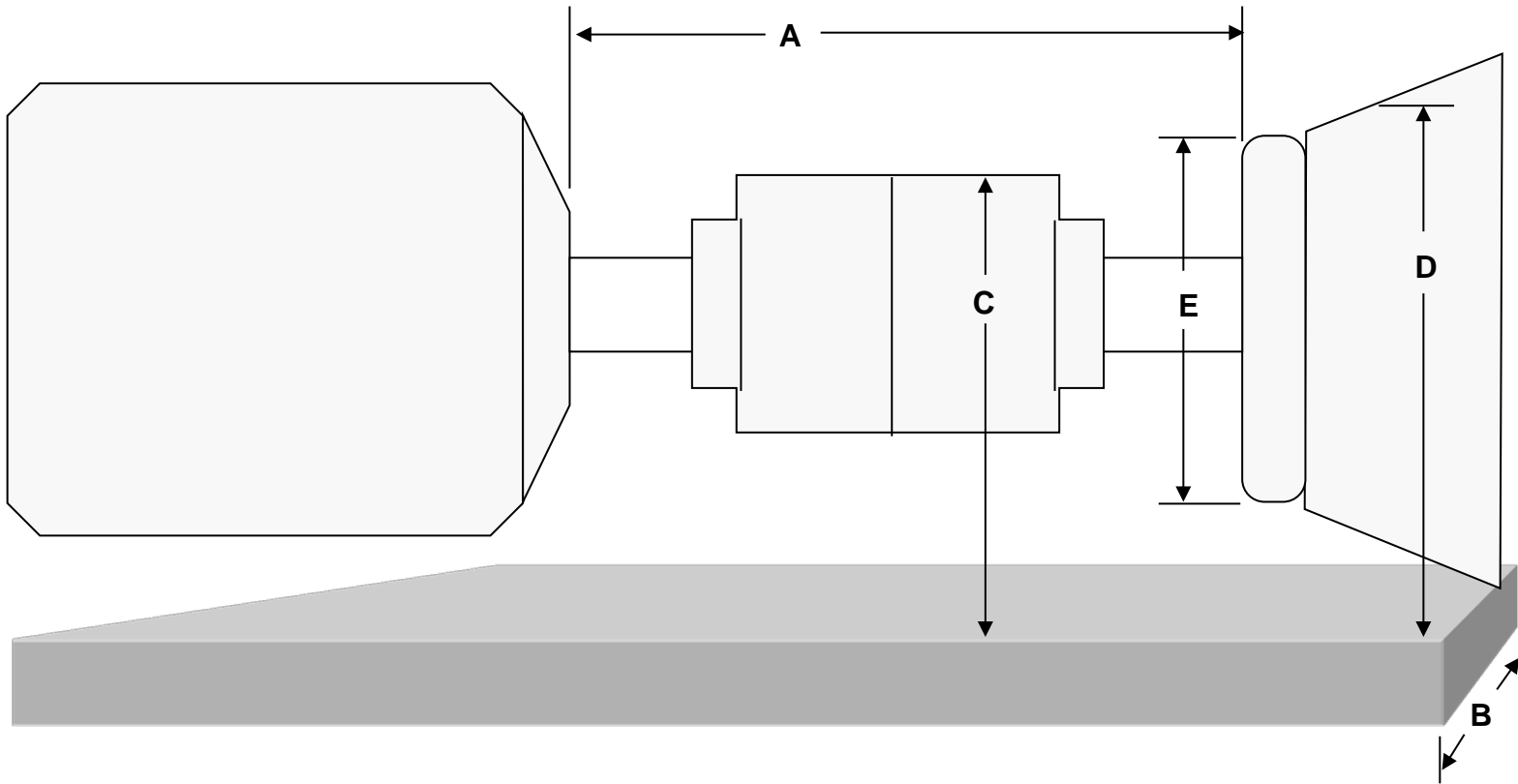
Equipment No. _____

Equipment Manufacturer _____

Equipment Model No. _____

Roto-Guard No. _____

G.C.I.
7756 Pecue Lane
P.O. Box 83657
Baton Rouge LA 70884
Phone: 225-752-9791
Fax: 225- 751-0143



Roto-Guard

